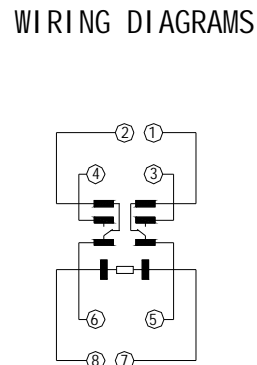
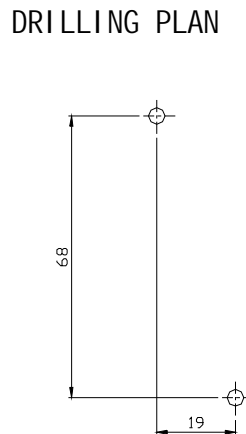
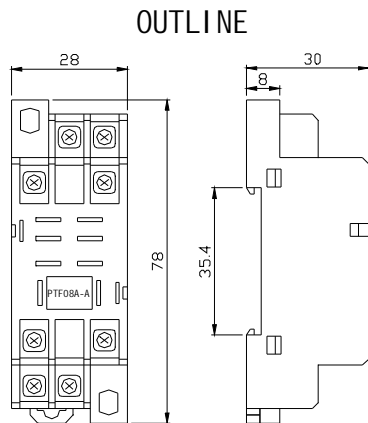
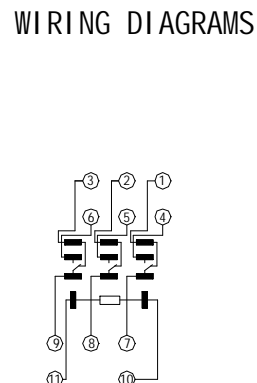
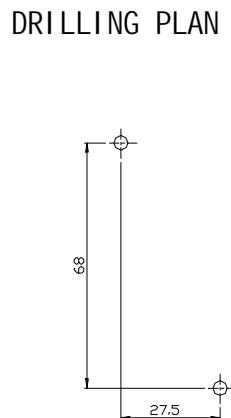
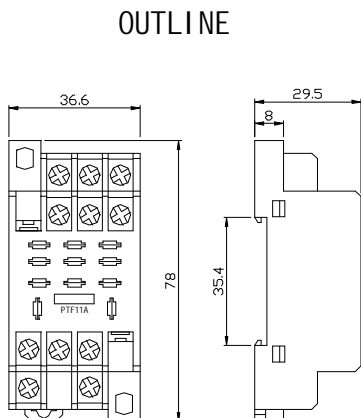


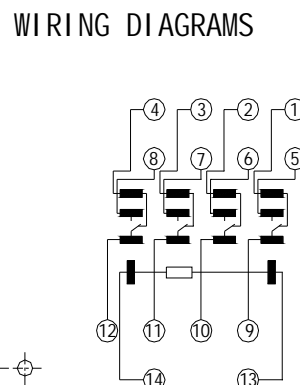
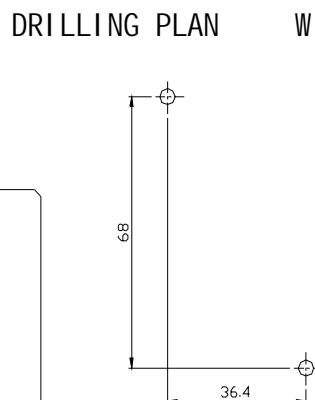
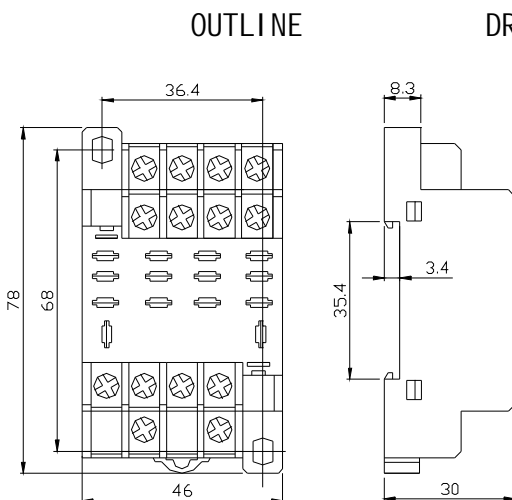
● FOR 951-1C/2C
SYSTEM RELAY USE
PTF08A-A



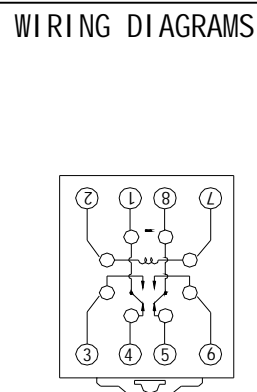
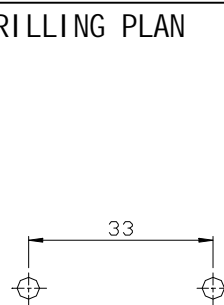
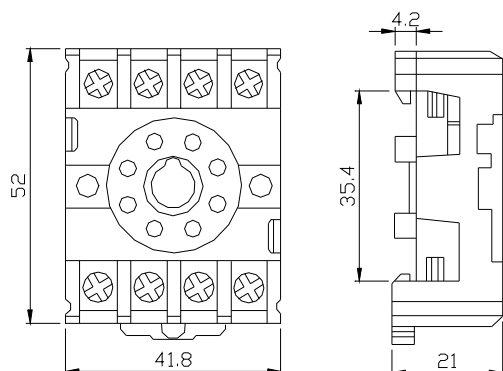
● FOR 951-3C
SYSTEM RELAY USE
PTF11A-A



● FOR 951-4C
SYSTEM RELAY USE
PTF14A-A



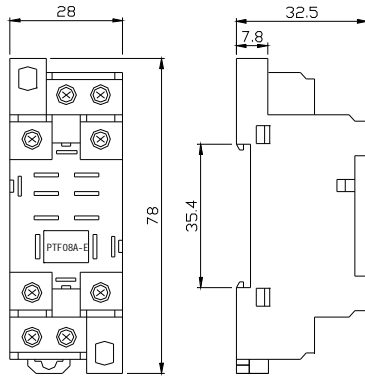
PF083A-A



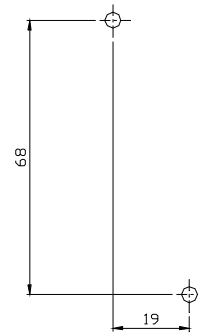
● FOR 951-1C/2C
SYSTEM RELAY USE
PTF08A-E



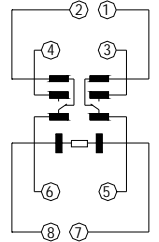
OUTLINE



DRILLING PLAN



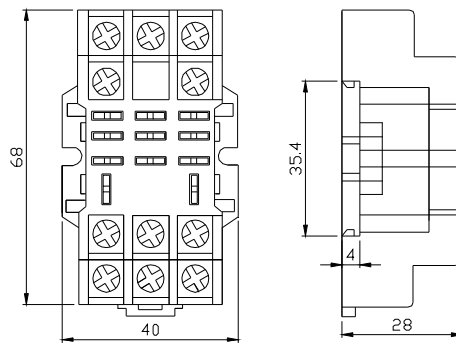
WIRING DIAGRAMS



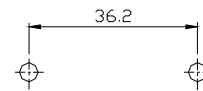
● FOR 951-3C
SYSTEM RELAY USE
PTF11A-K



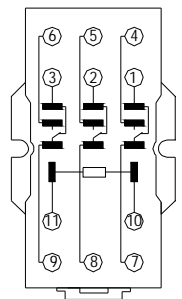
OUTLINE



DRILLING PLAN



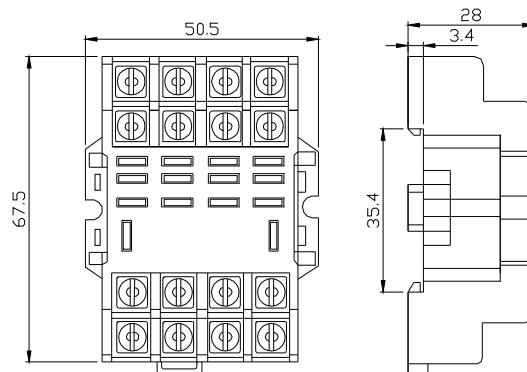
WIRING DIAGRAMS



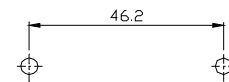
● FOR 951-4C
SYSTEM RELAY USE
PTF14A-K



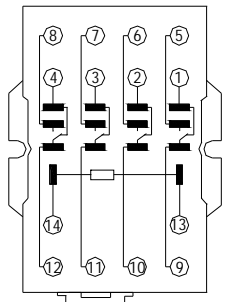
OUTLINE



DRILLING PLAN



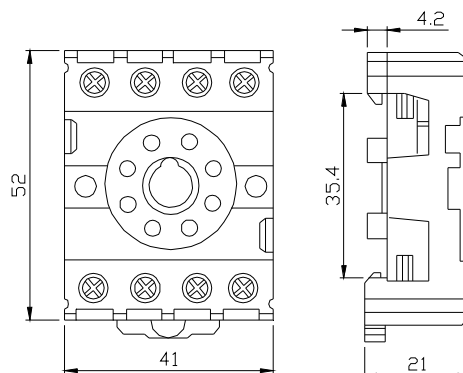
WIRING DIAGRAMS



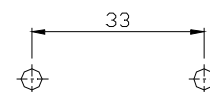
PF083A-E



OUTLINE



DRILLING PLAN



WIRING DIAGRAMS

